

4.07. Single Spring See-saw "Aeroplane"

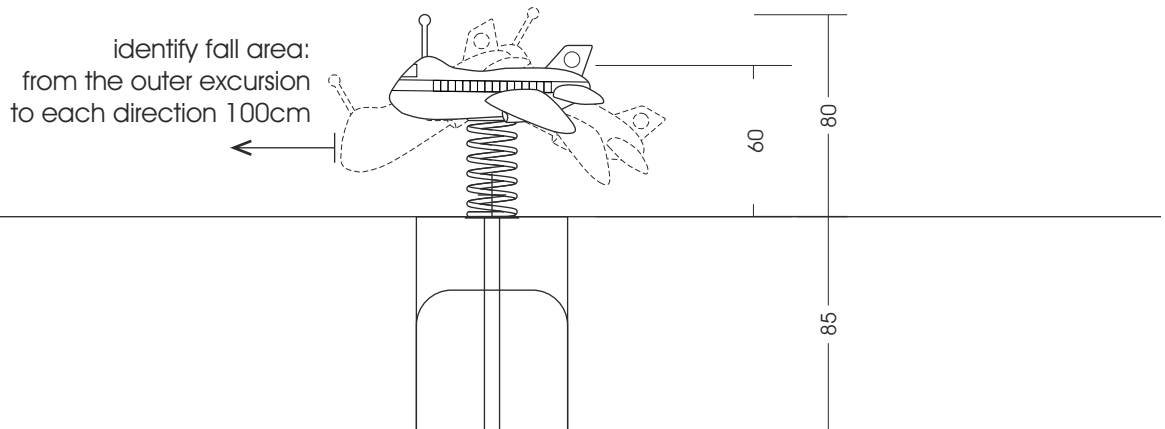
All Measures in cm (if not other stated)

M 1:30

Foundations need to be made after the production of our playgrounds due to the fact that we cannot guarantee information of the wood due to its irregular growth habits. Technical changes reserved. Please check the measures when our goods arrive. Our goods meet the standards of DIN EN 1176. For delivery is the offer text relevant.

Measures total:	approx. 85 x 60 x 80 (165) cm (L, B, H [H with depth below ground])
Fall Area:	Measures can vary - depends on the motive
Protective surface:	approx. 3,3 x 3,1 m
Foundations:	top soil, gras
Assembly and installation:	1 Unit 60 x 60 x 85 cm (L, W, Depth)
Weight:	2 people / approx. 1 hrs
Intended age group:	in total approx. 70 kg
	from approx. 2 years of age on

View:



Top View:

