

33.04.02. "Owl" Totem Pole

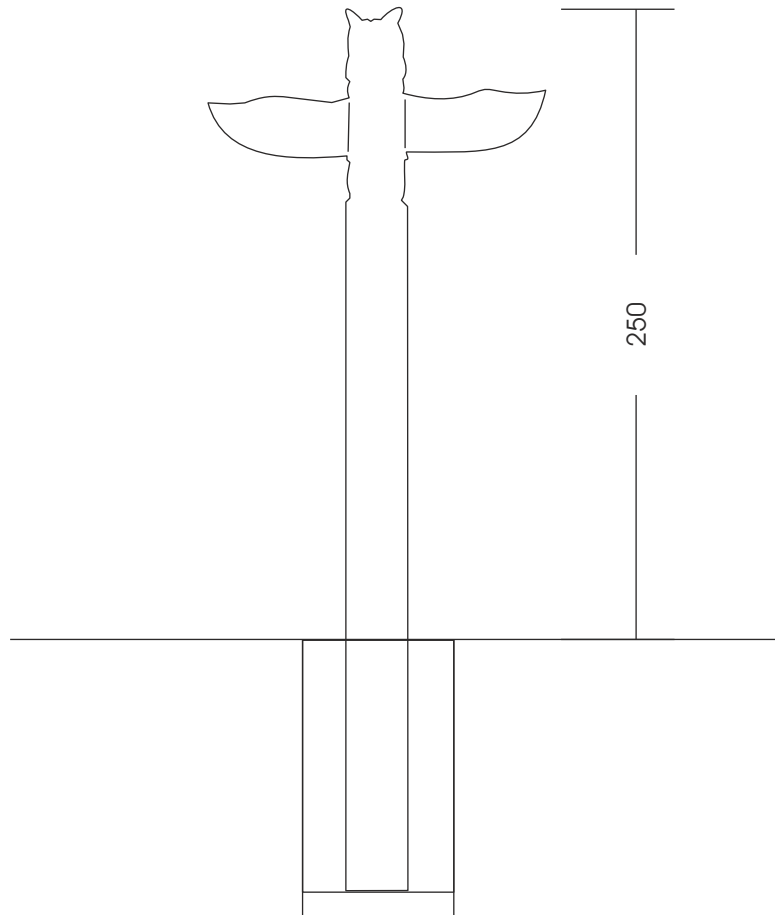
All measures in cm (if not other stated).

M 1:30

Foundations need to be made after the production of our playgrounds due to the fact that we cannot guarantee information of the wood due to its irregular growth habits. Technical changes reserved. Please check the measures when our goods arrive. Our goods meet the standards of DIN 1176. For delivery is the offer text relevant.

Measures total:	approx. 130 x 30 x 250 (350) cm (L, W, H [H with depth below ground])
Fall area:	During installation of sculptures in the nearby playground must expect to be that the benches are climbed and played. Possible fall area of 150 cm
Foundation:	1 unit 60 x 60 x 100 cm (L, W, D) jeweils + 10 cm Drainage-Kiesschicht
Assembly and installation:	2 people approx. ½ h
Weight:	in total. 120 kg

View:



Top view:

