

50.20.02. Hose Tower PH 200

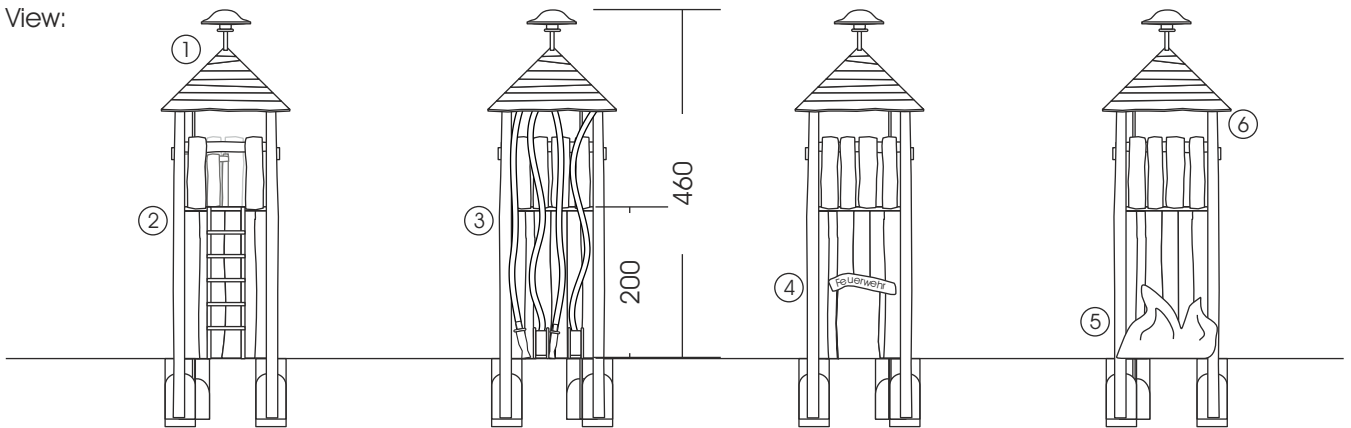
All measures in cm (if not other stated).

M 1:100

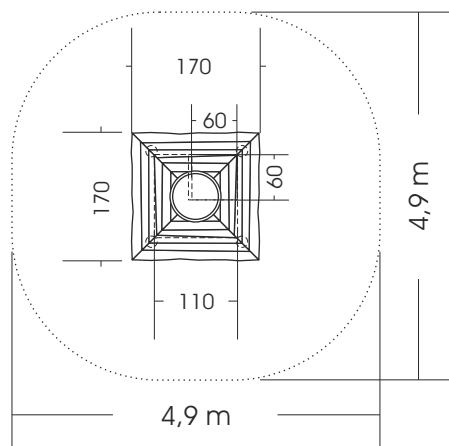
Foundations need to be made after the production of our playgrounds due to the fact that we cannot guarantee information of the wood due to its irregular growth habits. Technical changes reserved. Please check the measures when our goods arrive. Our goods meet the standards of DIN 1176. For delivery is the offer text relevant.

Measures total:	approx. 170 x 170 x 460 (540) cm (L, W, H [H with depth below ground])
Fall area:	approx. 4,9 x 4,9 m
Protective surface:	Sand, grit, wooden chaffs
Foundation:	4 units 40 x 40 x 80 cm (L, W, D), each +10 cm drainage-fine gravel layer 1 unit 40 x 40 x 80 cm (L, W, D)
Assembly and installation:	2 people approx. 7 hrs
Weight:	in total approx. 650 kg
Intended age group:	from approx 5 years of age on

View:



Top view:



- ① Diaphne symbolic
- ② Ladder climb up, horizontal
- ③ application hoses
- ④ entry, with writing
- ⑤ Panneling "Fire"
- ⑥ High gade steel pole inside tower