

13.37. Rope-Chain-Climb

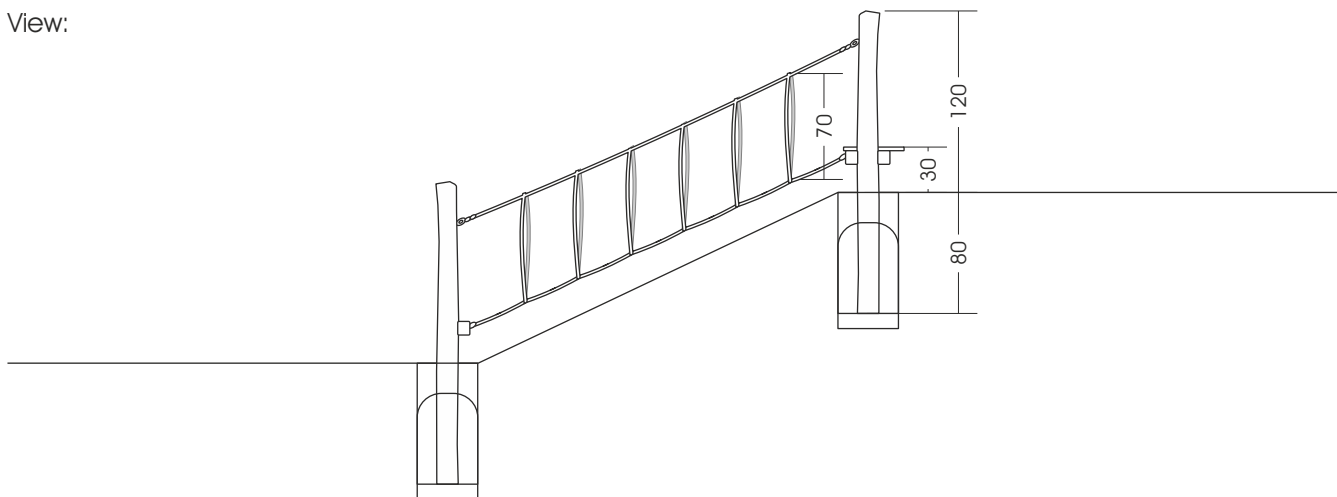
Measures in cm (if not other stated).

M 1:50

Foundations need to be made after the production of our playgrounds due to the fact that we cannot guarantee information of the wood due to its irregular growth habits. Technical changes reserved. Please check the measures when our goods arrive. Our goods meet the standards of DIN EN 1176. For delivery is the offer text relevant.

Measures total:	approx. 310 x 85 x 120 (200) cm (L, W, H [H with depth below ground])
Fall area:	approx. 6,1 x 3,9 m
Safety surface:	concrete, stone, top soil, gras, sand, grit, wooden chaffs
Foundation:	4 units 40 x 40 x 80 cm (L, W, Depth) each with +10 cm drainage-fine gravel layer
Assambly and installation:	2 people/approx. 4 hrs.
Weight:	total approx. 300 kg
Intended group of age:	from approx. 3 years of age on

View:



Top view:

