

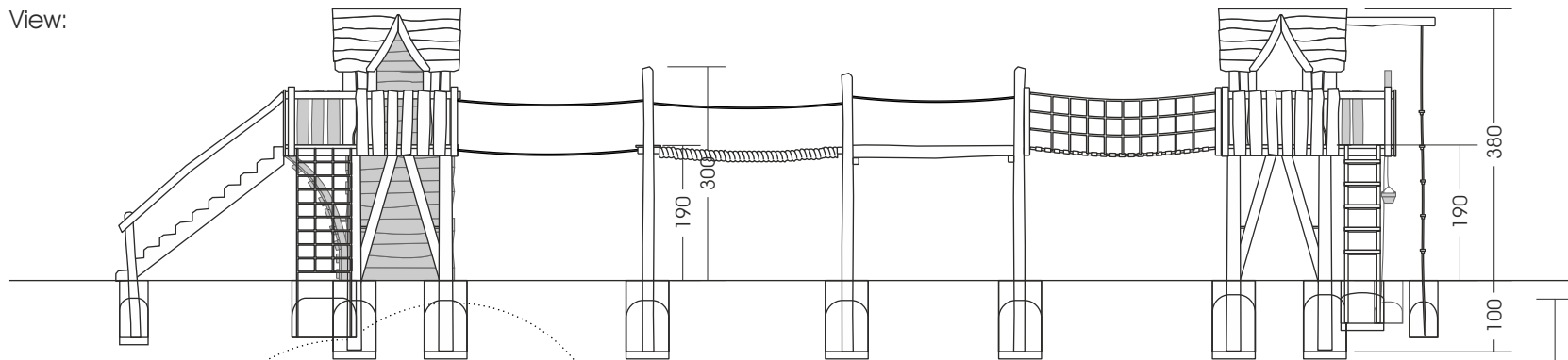
8.12. Witch's Tree House Combination 190

M 1:100

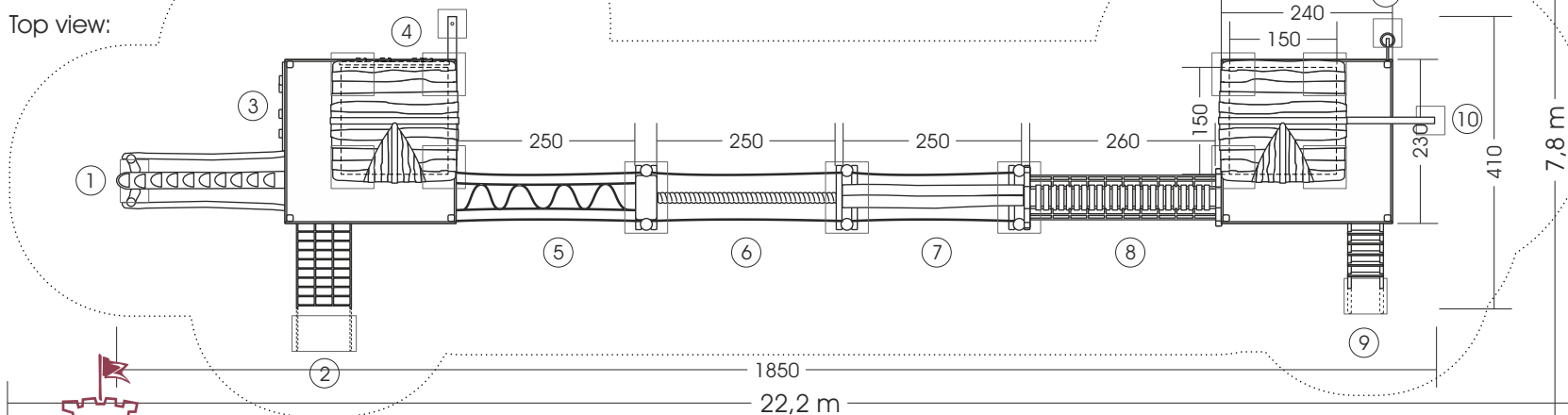
Foundations need to be made after the production of our playgrounds due to the fact that we cannot guarantee information of the wood due to its irregular growth habits. Technical changes reserved. Please check the measures when our goods arrive. Our goods meet the standards of DIN EN 1176. For delivery is the offer text relevant.

Measures total:	approx. 1850 x 410 x 380 (480) cm (L, W, H [H with depth below ground])
Fall security:	approx. 22,2 x 7,8 m
Protective surface:	sand, grit, wooden chaffs
Foundation:	8 units 60 x 60 x 100 cm (L, W, Depth), 3 units 100 x 60 x 100 cm (L, W, Depth), 1 unit 60 x 40 x 80 cm (L, W, Depth), 1 unit 60 x 50 x 60 cm (L, W, Depth) each + 10 cm drainage-fine gravel layer, 1 x 90 x 50 x 80 cm (L, W, Depth), 2 units 40 x 40 x 80 cm (L, W, Depth), 1 unit 40 x 40 x 60 cm (L, W, Depth)
Assembly and installation:	2 people/ approx. 20 hrs
Weight:	biggest part approx. 1000 kg
Vorgesehene Altersgruppe:	ab ca. 5 Jahren

View:



Top view:



- ① Tree trunk stairs
- ② Climbing net
- ③ Climbing wall with overhang B 120cm
- ④ Climbing wall W 140cm
(Grips till H220) with rope
- ⑤ Rope Bridge with rope hand rails
- ⑥ PP-dew with rope hand rails
- ⑦ 2 balance beams together with rope hand rails
- ⑧ balance rope bridge w netrailing
- ⑨ Ladder
- ⑩ Climbing rope
- ⑪ Sand lift