

24.14.4. Wave Bench

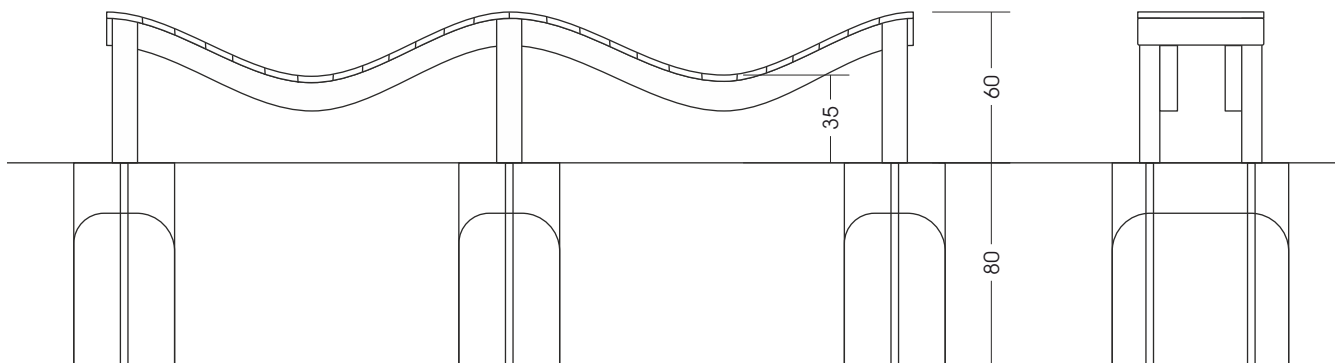
All measures in cm (if not other stated)

M 1:30

Foundations need to be made after the production of our playgrounds due to the fact that we cannot guarantee information of the wood due to its irregular growth habits. Technical changes reserved. Please check the measures when our goods arrive. Our goods meet the standards of DIN 1176. For delivery is the offer text relevant.

Measures total:	approx. 320 x 50 x 60 cm (L, W, H)
Fall area:	During installation of benches in the nearby playground must expect to be that the benches are climbed and played. Possible fall area of 150 cm
Foundation:	3 units 70 x 40 x 80 cm (L, W, D)
Installation and assembly:	2 people approx. 2 hrs.
Weight:	in total approx. 180 kg

View:



Top view:

