

24.08.01. Break Bench

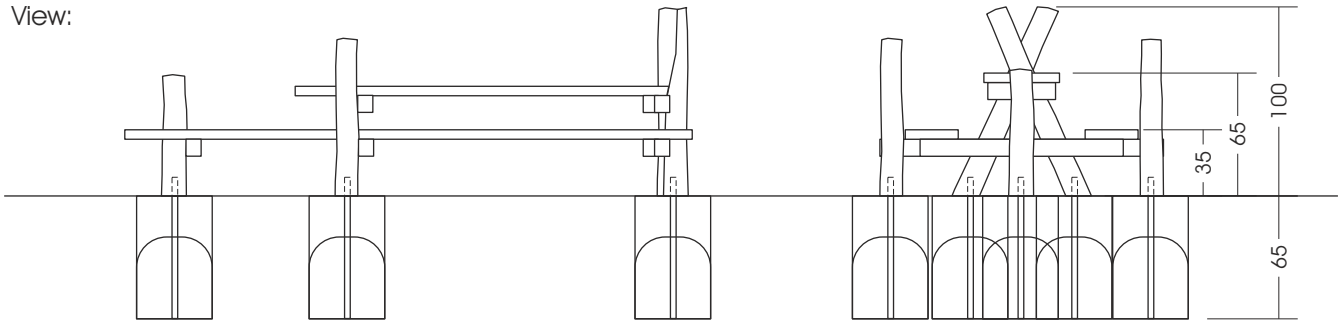
All measures in cm (if not other stated)

M 1:40

Foundations need to be made after the production of our playgrounds due to the fact that we cannot guarantee information of the wood due to its irregular growth habits. Technical changes reserved. Please check the measures when our goods arrive. Our goods meet the standards of DIN 1176. For delivery is the offer text relevant.

Measures total:	approx. 300 x 150 x 100 cm (L, W, H)
Fall area:	During installation of benches in the nearby playground must expect to be that the benches are climbed and played. Possible fall area of 150 cm
Foundation:	5 units 40 x 40 x 65 cm (L, W, D (Earth bolts))
Assembly and installation:	2 people approx. 2 hrs.
Weight	in total. 250 kg

View:



Top view:

