

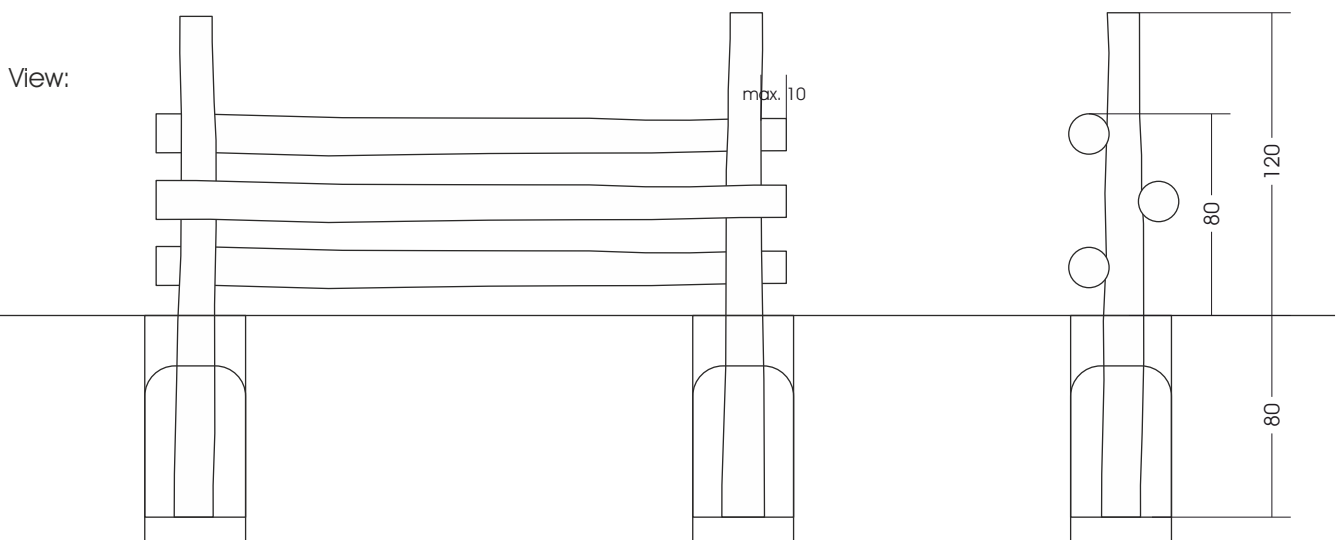
24.05.08. Youth Bench

All measures in cm (if not other stated)

M 1:30

Foundations need to be made after the production of our playgrounds due to the fact that we cannot guarantee information of the wood due to its irregular growth habits. Technical changes reserved. Please check the measures when our goods arrive. Our goods meet the standards of DIN EN 1176. For delivery is the offer text relevant.

Measures total:	approx. 250 x 45 x 120 (200) cm (L, B, H [H with depth below ground])
Falla area:	Possible fall area of 150 cm
Foundation:	2 units 40 x 40 x 80 cm (L, W, Depth) each + 10 cm drainage-fine gravel layer
Assembly and installation:	2 people approx. 1 h
Weight:	in total approx. 180 kg



Top view:

