

24.03.01. Forest Bench with Backrest 200

All measures in cm (if not other stated)

M 1:20

Foundations need to be made after the production of our playgrounds due to the fact that we cannot guarantee information of the wood due to its irregular growth habits. Technical changes reserved. Please check the measures when our goods arrive. Our goods meet the standards of DIN EN 1176. For delivery is the offer text relevant.

Measures total:

approx. 200 x 50 x 80 cm (L, W, H)

Fall area:

During installation of benches in the nearby playground must expect to be that this will be climbed and played.
Possible fall area of 150 cm.

Foundation:

2 units 40 x 40 x 65 cm (L, W, D) each

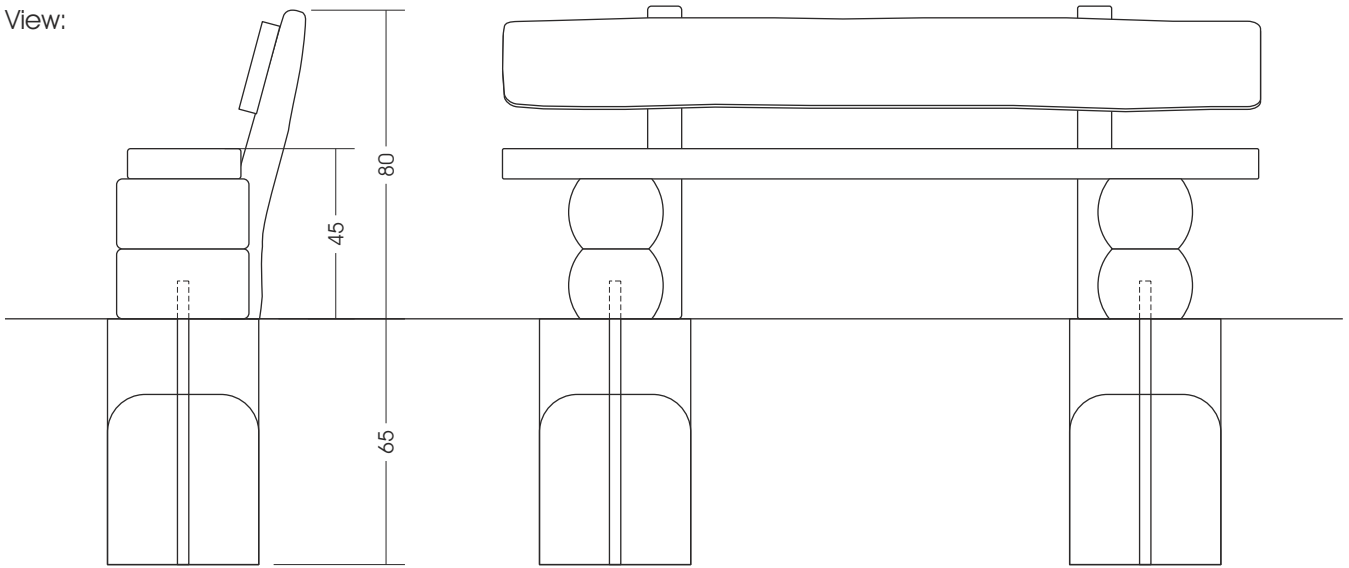
Assembly and installation:

2 Pers./approx. 1 h

Weight:

total approx. 90 kg

View:



Top view:

